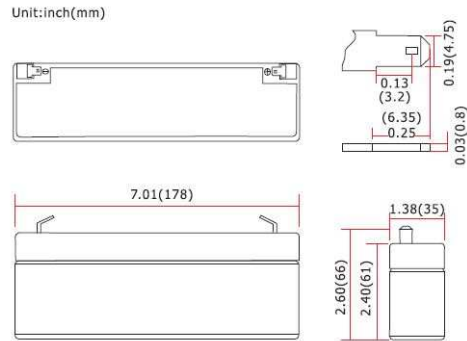
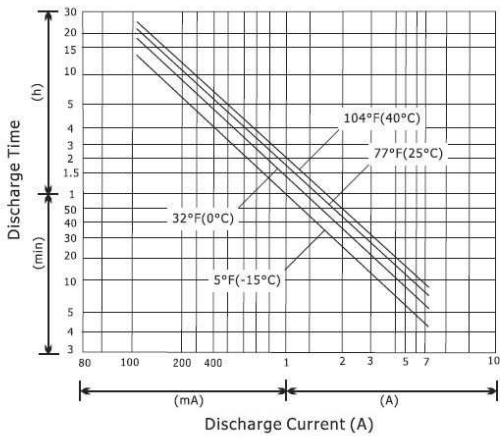


NAVAIO - NP 2.5

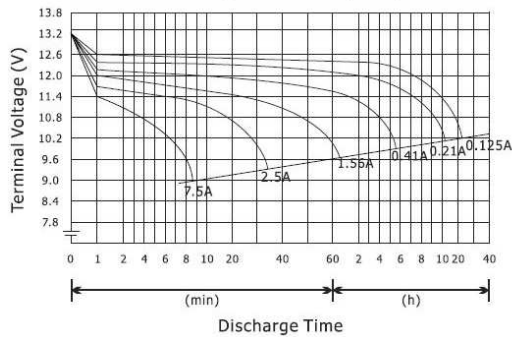
ACUMULATOR 12V 2.5Ah



Discharge Current and Discharge Duration Time



Discharge Curves 77°F(25°C)



Specification

Nominal Voltage		12V
Rated Capacity (20hr Rate)		2.5Ah
Dimensions	Length	7.01inches (178mm)
	Width	1.38inches (35mm)
	Height	2.40inches (61mm)
	Total Height	2.60inches (66mm)
Weight	Approx. 1.96lbs (0.89kg)	
Characteristics		
Capacity 77°F(25°C)	20hour rate (0.125A)	2.50Ah
	10hour rate (0.21A)	2.21Ah
	5hour rate (0.41A)	2.05Ah
	1hour rate (1.56A)	1.56Ah
Internal Resistance	Full Charged, 77°F(25°C)	65mΩ
Capacity Affected By Temperature (10hr Rate)	104°F(40°C)	102%
	77°F(25°C)	100%
	32°F(0°C)	85%
	5°F(-15°C)	65%
Self-Discharge 77°F(25°C)	Capacity after 3 month storage	90%
	Capacity after 6 month storage	80%
	Capacity after 9 month storage	60%
Charge (Constant Voltage)	Initial Charge Current "LESS" than 0.75A	
	Cycle	14.4-15.0V/77°F(25°C)
	Stand By	13.5-13.8V/77°F(25°C)

**These data are average values obtained from three Charge/Discharge cycles. Note: These are NOT minimum values.